



**SOVATEC**

**2016**

PRODUCTRANGE  
PRODUKTREIHEN



# INTRODUCTION/EINFÜHRUNG

---

**SOVATEC  
HIGH EFFICIENT  
FANS**

**SOVATEC  
HOCHEFFIZIENTE  
VENTILATOREN**

“WHERE QUALITY  
RULES, WE ARE NOT  
AFRAID OF ANY  
MARKET LEADER!”

„WO QUALITÄT  
ENTSCHEIDET, HABEN  
WIR KEINEN  
MARKTFÜHRER ZU  
FÜRCHTEN!“

The SOVATEC Produktions GmbH designs and produces electric motors and axial fans according to European quality standards.

Our long term approved module system with Multi Airflow Direction (MAD) combines ventilation and drive technology, for individual complete applications as well as spare parts solutions.

The SOVATEC product ranges provide cost efficiency, adaptable systems, high durability and a production facility working with national and international requirements (e.g. ErP, CE...).

Our worldwide team is working in seven different countries and looking forward to support you with fast solutions on your ventilation and drive technology requirements.

SOVATEC implements a system of continuous product improvement and creating design for highest customer value. To keep our Austrian production facility competitive, we are working with a high degree of automation and newest measurement and test equipment.

SOVATEC offers:

- high efficiency
- flexible air flow direction (puller / pusher)
- high protection classes
- low noise levels
- high durability
- special corrosion-resistant materials

Die SOVATEC Produktions GmbH entwickelt und produziert Elektromotoren und Axialventilatoren nach europäischen Qualitätsstandards.

Unser langjährig entstandenes Baukastensystem mit Multi Airflow Direction (MAD) verbindet Ventilations- und Antriebstechnik für Ihre individuellen Komplett- und Ersatzlösungen.

Die SOVATEC Produktreihen bieten kostengünstige Effizienz, anpassungsfähige Systeme, hohe Lebensdauer und einen Fertigungsstandort unter nationalen und internationalen Richtlinien (ErP, CE...). Unser weltweit präsenten Team arbeitet in sieben Ländern und freut sich, schnelle Lösungen für Ihre Aufgaben in der Ventilations- und Antriebstechnik zu finden.

SOVATEC verbindet den Anspruch einer kontinuierlichen Verbesserung der Produkte mit der Entwicklung den höchsten Wert für Ihre Kunden zu schaffen. Um unseren Produktionsstandort in Österreich wettbewerbsfähig auszurichten, arbeitet SOVATEC mit den neuesten Mess- und Prüfeinrichtungen.

SOVATEC präsentiert Zuverlässigkeit in:

- Hohe Effizienz
- Flexible Luftansaugrichtungen (saugend / drückend)
- Hohe Schutzarten realisierbar
- Geringe Geräusentwicklung
- Lange Lebenszeit
- Spezielle korrosionsbeständige Materialien



# EFFICIENCY & VALUE EFFIZIENZ & WERT



## HIGHEST EFFICIENCY GUARANTEED

The research and development of products follow to our own guidelines and specifications. The verification of the performance data of the model ranges are being processed with application realistic configurations and not under optimized laboratory conditions.

We offer electronic motors in AC, DC and EC configuration.

The fans fulfill their requirements in a stable range of the characteristics diagram with a motor efficiency in connection to a system related electronic control device.

The MAD fan range is designed for use in stationary, industrial applications. A fan unit consists of an electric

motor and plastic fans of polyamide 6 with 30% glass fibre and diameters between 250 and 1000mm. The available drives are single phase motors or three phase motors with a power from 60W to 3,4kW. The electric motors are configured for the temperature class 155 (insulation class F) at an operation with a frequency of 50Hz and/or 60Hz. The protection is IP44 or IP66. The electric motors can be voltage controlled and may also be used in combination with electronic as well as transformer controls

For further information regarding technical parameters and conditions, please use our product specific data sheets or contact us, directly.

Applications:  
air conditioning, ventilation and drive technology

## HÖCHSTE EFFIZIENZ GARANTIERT

Das Produktspektrum wird nach eigenen Vorgaben entwickelt und realisiert. Die Leistungsdatenerfassung der einzelnen Baureihen erfolgt jeweils in einsatznaher Konfiguration und nicht unter optimierten Laborbedingungen.

Elektromotoren werden von AC-Antrieben mit Synchronmaschinen über DC bis hin zu EC-Lösungen angeboten. Die Ventilatoren erfüllen die Aufgaben im Bereich einer stabilen Kennliniencharakteristik und einer Motoreffizienz in Zusammenhang mit einer systemorientierten Regelungselektronik.

Die MAD Ventilatoren-Baureihe ist für den Einbau in stationären Industrieanwendungen vorgesehen. Sie

besteht aus einem Elektromotor und Kunststoffventilatoren mit Durchmessern zwischen 250 – 1000mm aus Kunststoff gefertigt (Polyamid 6 mit 30% Glasfaser). Die Elektromotoren sind Einphasen- und Drehstrommotoren mit einer Leistungsaufnahme von 60W bis 3,4kW, ausgelegt für Isolationsklasse 155 (F) für einen Betrieb mit 50Hz und/oder 60Hz Netzfrequenz. Die Schutzart ist IP44 oder IP66. Die Motoren sind spannungsregelbar und können in Verbindung mit elektronischen wie auch transformatorischen Regeleinheiten betrieben werden. Weitere Umfeld- und Rahmenbedingungen sind in den produktspezifischen Datenblättern angegeben.

Anwendungsgebiete: Klima- und Lüftungstechnik.



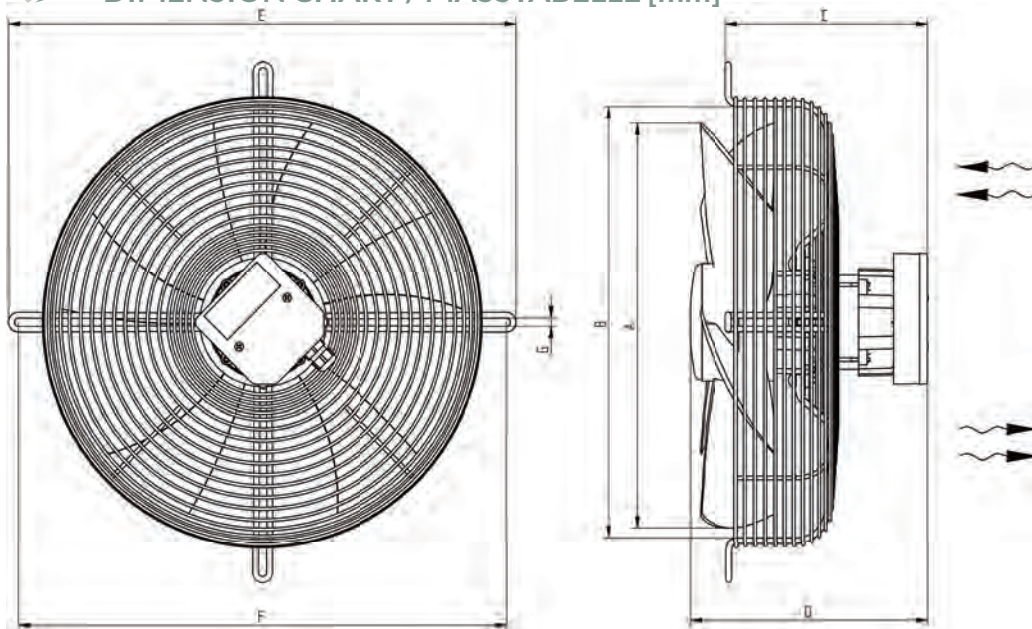


# MAD 01 SERIES



## MAD 01 SERIES

### DIMENSION CHART / MASSTABELLE [mm]



	A	B	C	D	E	F	G	50 Hz	60 Hz
MAD01-030-A020E4ML-ABH	300	325	122	177	380	360	7	3	X
MAD01-030-A030E4ML-ABH	300	325	132	187	380	360	7	4	5
MAD01-030-A030E4NL-AAH	300	325	132	187	380	360	7	6	7
MAD01-035-A050E4ML-ABH	349	380	148	207	442	422	7	8	9
MAD01-040-A065E4ML-ABH	396	430	165	222	490	470	9	10	X

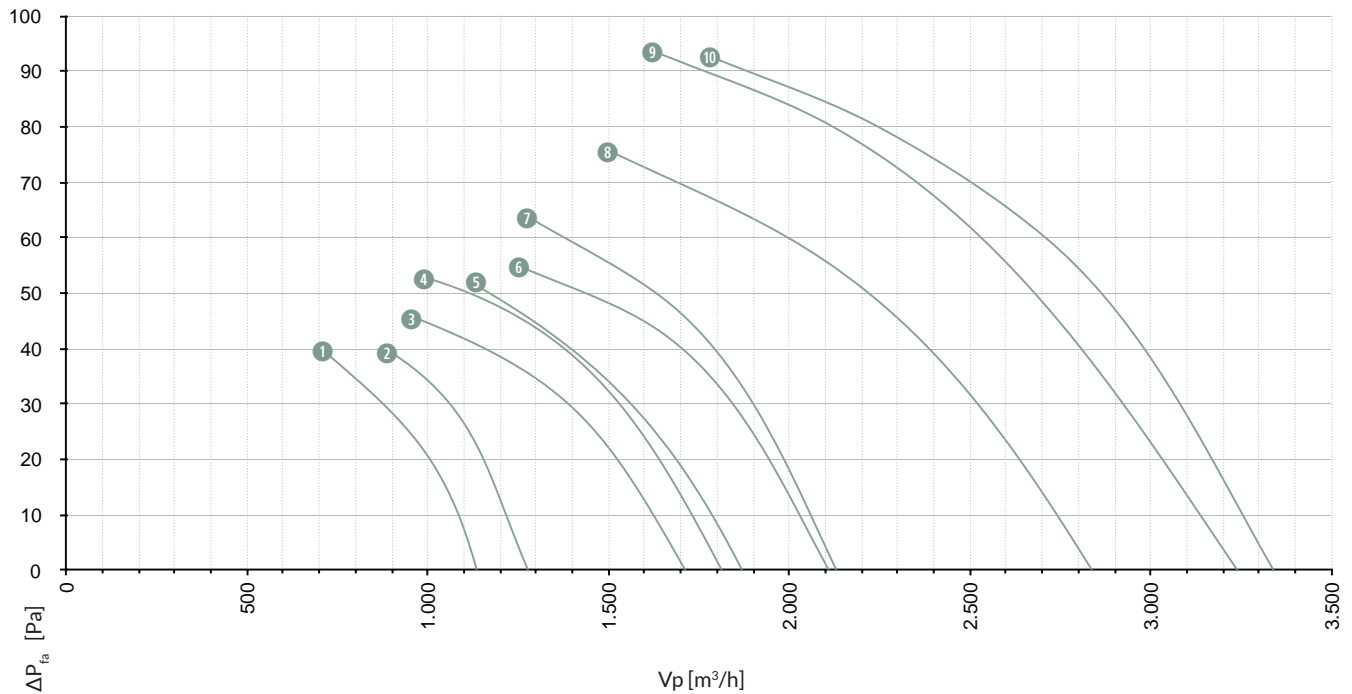
	A	B	C	D	E	F	G	50 Hz	60 Hz
MAD01-025-A020E4ML-BBC	250	267	144	171	328	300-310	7	1	2
MAD01-030-A020E4ML-BBC	300	317	150	177	380	345-360	7	3	X
MAD01-030-A030E4ML-BBC	300	317	160	187	380	345-360	7	4	5
MAD01-030-A030E4NL-BAC	300	317	160	187	380	345-360	7	6	7
MAD01-035-A050E4ML-BBC	349	366	180	207	442	395-422	7	8	9
MAD01-040-A065E4ML-BBC	396	415	195	222	490	450-470	9	10	X

Copyright Sovatec Produktions GmbH. This data sheet shows a technical overview of our products. Please contact us if more exact information is needed. As we are constantly improving our products, their characteristics, dimensions and weights may also change, although we do our best to incorporate these changes continually. The information in this data sheet is intended to be used as a first general guideline only. Sovatec assumes no liability for any information therein, any errors, omissions, misprints, nor any direct or indirect damages, losses or costs resulting therefrom. The acoustic values given are only valid under the measurement conditions listed and may vary depending on the installation situation. With any deviation to the standard setup, the specific values have to be checked and reviewed once installed or fitted!



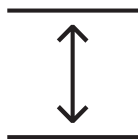
# MAD 01 SERIES

## CHARACTERISTICS CHART / NENNDIAGRAMM



# MAD 01 SERIES

## OPTIONS / OPTIONEN



VARIOUS PROTECTION GRIDS  
VERSCHIEDENE GITTERHÖHEN



RANGE OF MOUNTING POSSIBILITIES  
VERSCHIEDENE GITTERBEFESTIGUNGEN



# MAD 01 SERIES

## TECHNICAL DATA / TECHNISCHE DATEN

Further ErP-data available upon request  
Weitere ErP Daten sind auf Anfrage erhältlich

		Hz	P1 (W)	I (A)	n (min <sup>-1</sup> )	cos φ	C <sub>B</sub>	dB(A)	kg
MAD01-025-A020E4ML-BBC	①	50	63	0,28	1360	0,98	2,00	62	2,6
MAD01-025-A020E4ML-BBC	②	60	75	0,33	1550	0,99	2,00	65	2,6
MAD01-030-A020E4NL-BBC	③	50	85	0,38	1250	0,97	2,50	64	3
MAD01-030-A030E4ML-BBC	④	50	89	0,4	1340	0,97	3,00	65	3,4
MAD01-030-A030E4ML-BBC	⑤	60	120	0,53	1500	0,99	3,00	68	3,4
MAD01-030-A030E4NL-BAC	⑥	50	95	0,42	1305	0,98	3,00	66	3,4
MAD01-030-A030E4NL-BAC	⑦	60	125	0,55	1390	0,99	3,00	67	3,4
MAD01-035-A050E4ML-BBC	⑧	50	150	0,67	1330	0,97	5,00	68	4,5
MAD01-035-A050E4ML-BBC	⑨	60	200	0,88	1525	0,99	5,00	72	4,5
MAD01-040-A065D4NL-BBC	⑩	50	235	0,55	1340	0,62	6,50	75	5,5

Copyright Sovatec Produktions GmbH. This data sheet shows a technical overview of our products. Please contact us if more exact information is needed. As we are constantly improving our products, their characteristics, dimensions and weights may also change, although we do our best to incorporate these changes continually. The information in this data sheet is intended to be used as a first general guideline only. Sovatec assumes no liability for any information therein, any errors, omissions, misprints, nor any direct or indirect damages, losses or costs resulting therefrom. The acoustic values given are only valid under the measurement conditions listed and may vary depending on the installation situation. With any deviation to the standard setup, the specific values have to be checked and reviewed once installed or fitted.

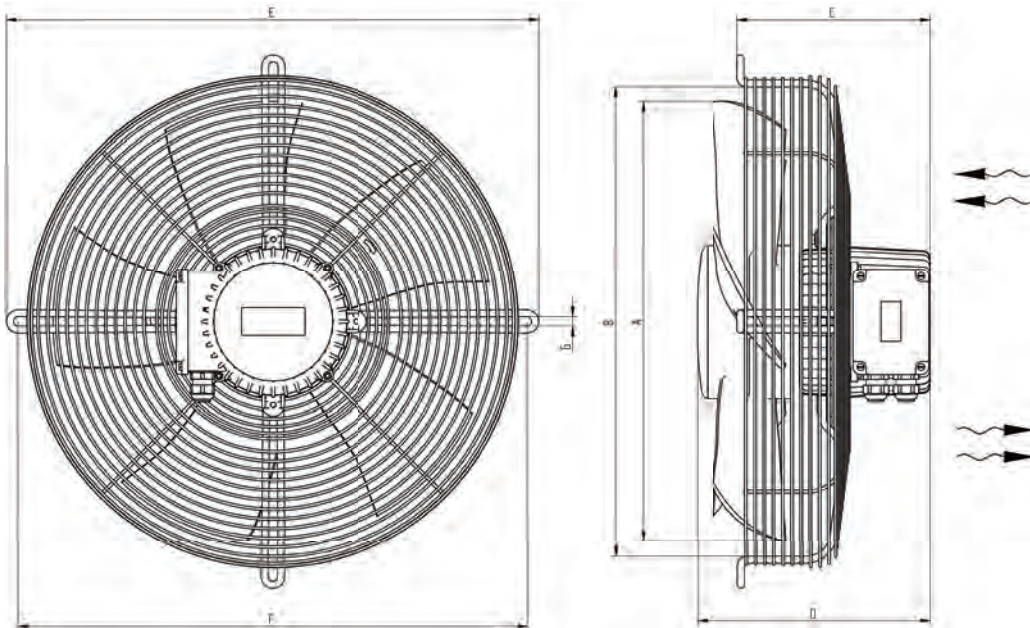


# MAD 02 SERIES



## MAD 02 SERIES

DIMENSION CHART / MASSTABELLE [mm]



	A	B	C	D	E	F	G	50 Hz	60 Hz
MAD02-045-C025 _-ABH	445	474	165	235	539	515	9	1	X
MAD02-045-C035 _-ABH	445	474	165	235	539	515	9	2	X
MAD02-050-C035 _-ABH	497	524	205	275	589	565	9	2	X
MAD02-050-C045 _-ABH	497	524	205	275	589	565	7	3	X

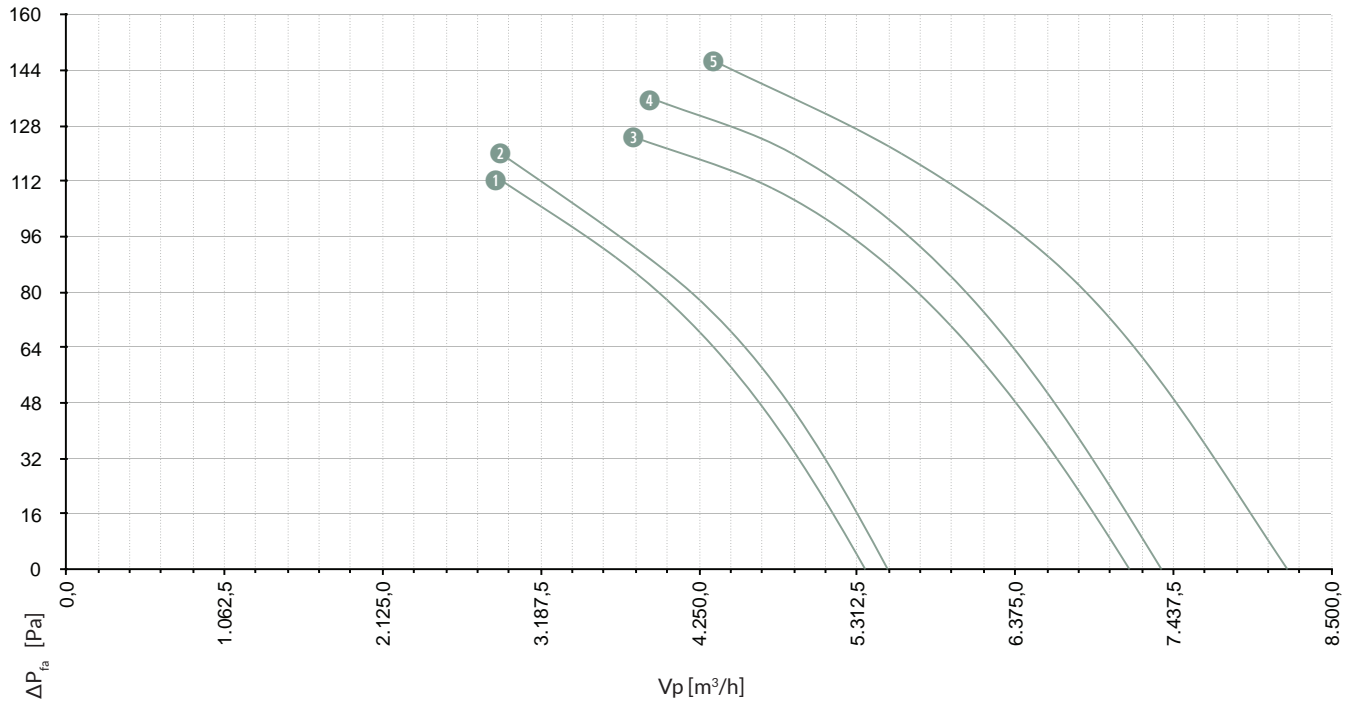
	A	B	C	D	E	F	G	50 Hz	60 Hz
MAD02-045-C025 _-BBC	445	474	195	171	539	515	9	4	X
MAD02-045-C035 _-BBC	445	474	195	177	539	515	9	4	X
MAD02-050-C035 _-BBC	497	524	195	187	589	565	9	5	X
MAD02-050-C035 _-BBC	497	524	195	187	589	565	9	5	X

Copyright Sovatec Produktions GmbH. This data sheet shows a technical overview of our products. Please contact us if more exact information is needed. As we are constantly improving our products, their characteristics, dimensions and weights may also change, although we do our best to incorporate these changes continually. The information in this data sheet is intended to be used as a first general guideline only. Sovatec assumes no liability for any information therein, any errors, omissions, misprints, nor any direct or indirect damages, losses or costs resulting therefrom. The acoustic values given are only valid under the measurement conditions listed and may vary depending on the installation situation. With any deviation to the standard setup, the specific values have to be checked and reviewed once installed or fitted.

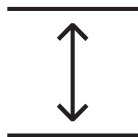




## MAD 02 SERIES CHARACTERISTICS CHART / NENNDIAGRAMM



## MAD 02 SERIES OPTIONS / OPTIONEN



VARIOUS PROTECTION GRIDS  
VERSCHIEDENE GITTERHÖHEN



RANGE OF MOUNTING POSSIBILITIES  
VERSCHIEDENE GITTERBEFESTIGUNGEN

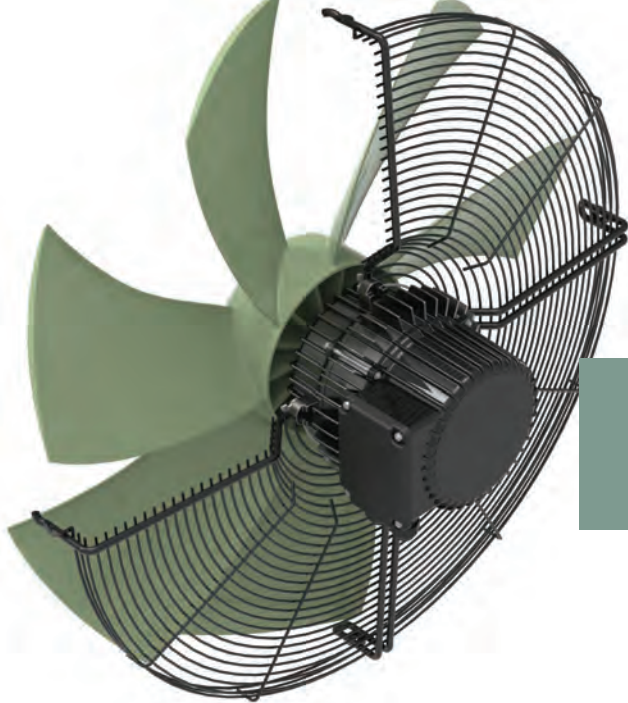


## MAD 02 SERIES TECHNICAL DATA / TECHNISCHE DATEN

Further ErP-data available upon request  
Weitere ErP Daten sind auf Anfrage erhältlich

		Hz	P1 (W)	I (A)	n (min <sup>-1</sup> )	cos φ	C <sub>B</sub>	dB(A)	kg
MAD02-045-C025D4NH-BBC	①	50	425	0,83	1355	0,74	-	76	8,7
MAD02-045-C035D4NH-BAC	②	50	460	0,92	1385	0,73	-	80	9,6
MAD02-050-C035DN4NH-BBC	③	50	535	1,05	1350	0,77	-	79	10
MAD02-050-C045DVNH-BBC	④	50-D	510	1,16	1300	0,64	-	78	11
MAD02-050-C045DVNH-BBC	④	50-Y	320	0,57	1020	0,81	-	73,4	11
MAD02-050-C045D4NH-BAC	⑤	50	710	1,3	1375	0,79	-	82	11

Copyright Sovatec Produktions GmbH. This data sheet shows a technical overview of our products. Please contact us if more exact information is needed. As we are constantly improving our products, their characteristics, dimensions and weights may also change, although we do our best to incorporate these changes continually. The information in this data sheet is intended to be used as a first general guideline only. Sovatec assumes no liability for any information therein, any errors, omissions, misprints, nor any direct or indirect damages, losses or costs resulting therefrom. The acoustic values given are only valid under the measurement conditions listed and may vary depending on the installation situation. With any deviation to the standard setup, the specific values have to be checked and reviewed once installed or fitted!

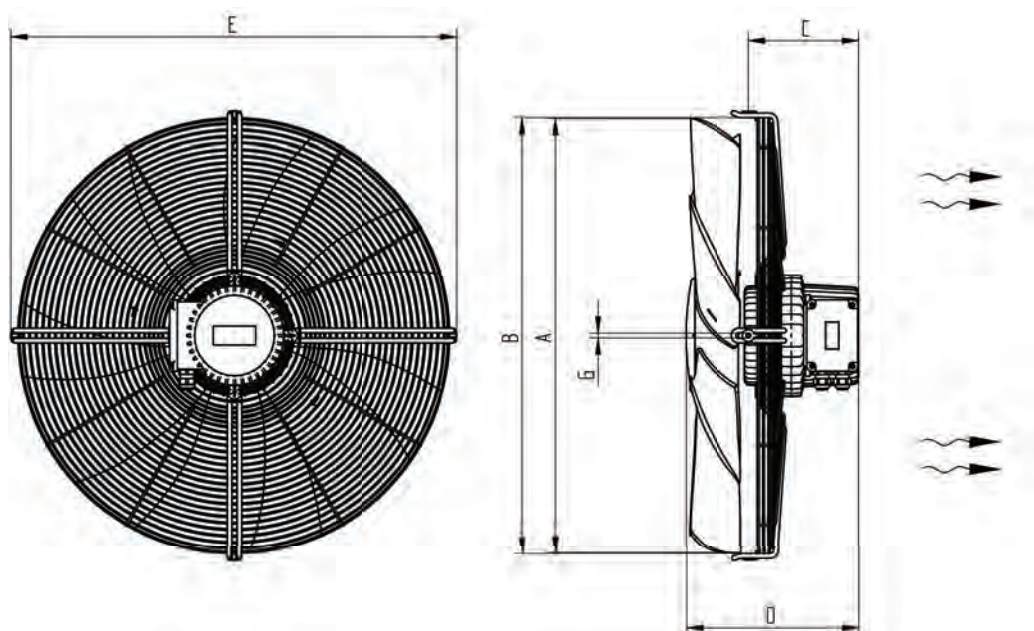


# MAD 03 SERIES



## MAD 03 SERIES

DIMENSION CHART / MASSTABELLE [mm]



	A	B	C	D	E	G	50 Hz	60 Hz
MAD03-063-C065_BBV	627	min. 680	250	258	774	Ø 750/4*9,5	2	X
MAD03-063-C085_BBV	627	min. 680	250	258	774	Ø 750/4*9,5	1	X
MAD03-063-C065_BBV	627	655	165	258	669	Ø 655/4*9,5	2	X
MAD03-063-C085_BBV	627	655	165	258	669	Ø 655/4*9,6	1	X

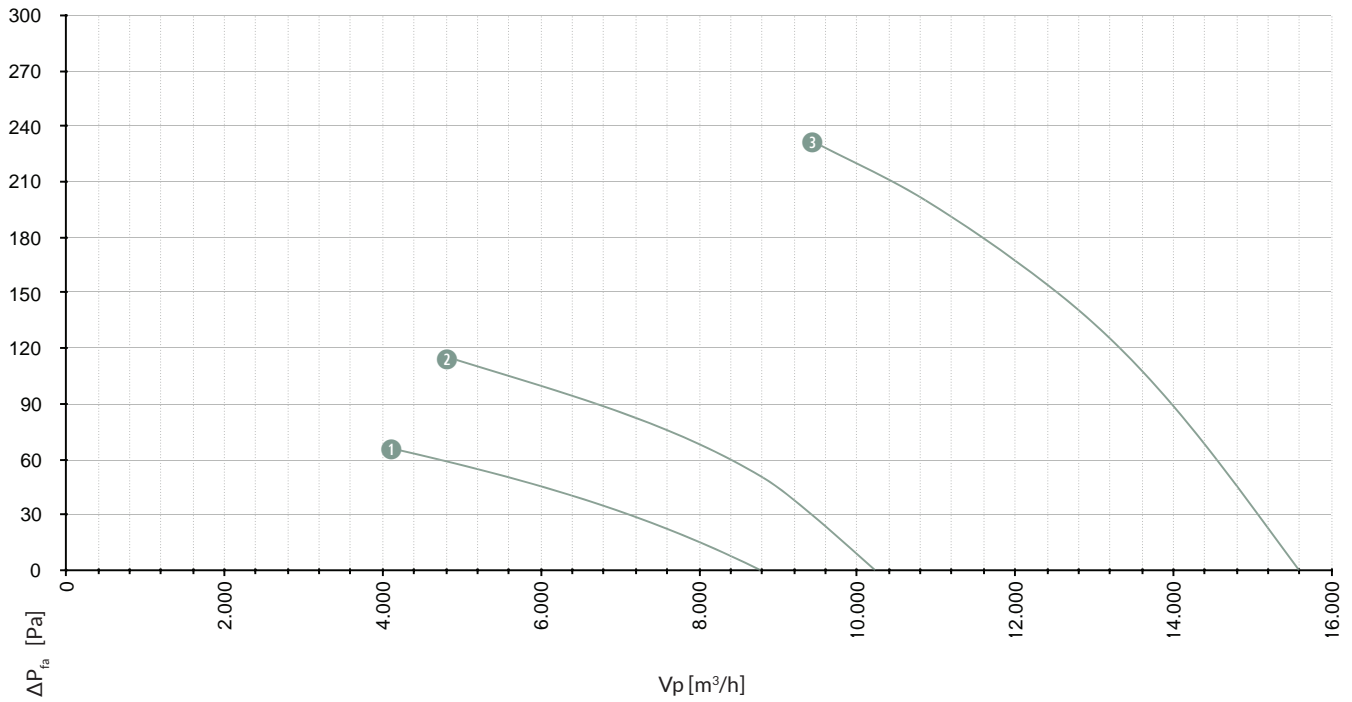
Copyright Sovatec Produktions GmbH. This data sheet shows a technical overview of our products. Please contact us if more exact information is needed. As we are constantly improving our products, their characteristics, dimensions and weights may also change, although we do our best to incorporate these changes continually. The information in this data sheet is intended to be used as a first general guideline only. Sovatec assumes no liability for any information therein, any errors, omissions, misprints, nor any direct or indirect damages, losses or costs resulting therefrom. The acoustic values given are only valid under the measurement conditions listed and may vary depending on the installation situation. With any deviation to the standard setup, the specific values have to be checked and reviewed once installed or fitted!





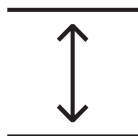
## MAD 03 SERIES

### CHARACTERISTICS CHART / NENNDIAGRAMM



## MAD 03 SERIES

### OPTIONS / OPTIONEN



VARIOUS PROTECTION GRIDS  
VERSCHIEDENE GITTERHÖHEN



RANGE OF MOUNTING POSSIBILITIES  
VERSCHIEDENE GITTERBEFESTIGUNGEN



## MAD 03 SERIES

### TECHNICAL DATA / TECHNISCHE DATEN

Further ErP-data available upon request  
Weitere ErP Daten sind auf Anfrage erhältlich

		Hz	P1 (W)	I (A)	n (min <sup>-1</sup> )	cos φ	C <sub>B</sub>	dB(A)	kg
MAD03-063-C085D4NH-BBV	①	50	1675	3,5	1375	0,7	-	82,6	16,5
MAD03-063-C065DSNH-BBV	②	50-D	575	1,4	900	0,6	-	75	14,5
MAD03-063-C065DSNH-BBV	③	50-Y	340	0,7	670	0,7	-	68	16

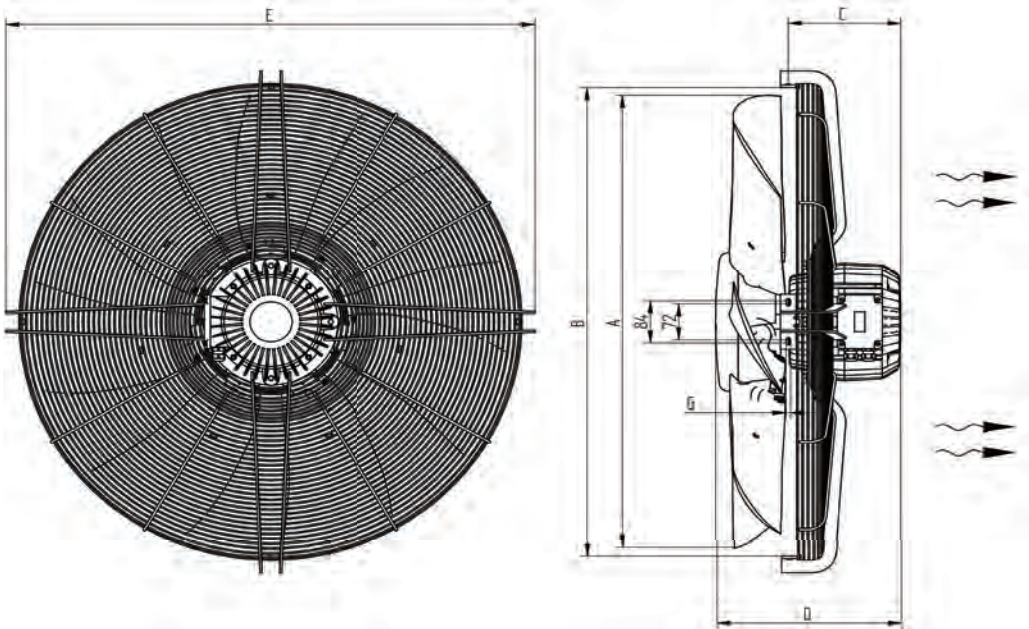
Copyright Sovatec Produktions GmbH. This data sheet shows a technical overview of our products. Please contact us if more exact information is needed. As we are constantly improving our products, their characteristics, dimensions and weights may also change, although we do our best to incorporate these changes continually. The information in this data sheet is intended to be used as a first general guideline only. Sovatec assumes no liability for any information therein, any errors, omissions, misprints, nor any direct or indirect damages, losses or costs resulting therefrom. The acoustic values given are only valid under the measurement conditions listed and may vary depending on the installation situation. With any deviation to the standard setup, the specific values have to be checked and reviewed once installed or fitted.



# MAD 05 SERIES



## MAD 05 SERIES DIMENSION CHART / MASSTABELLE [mm]



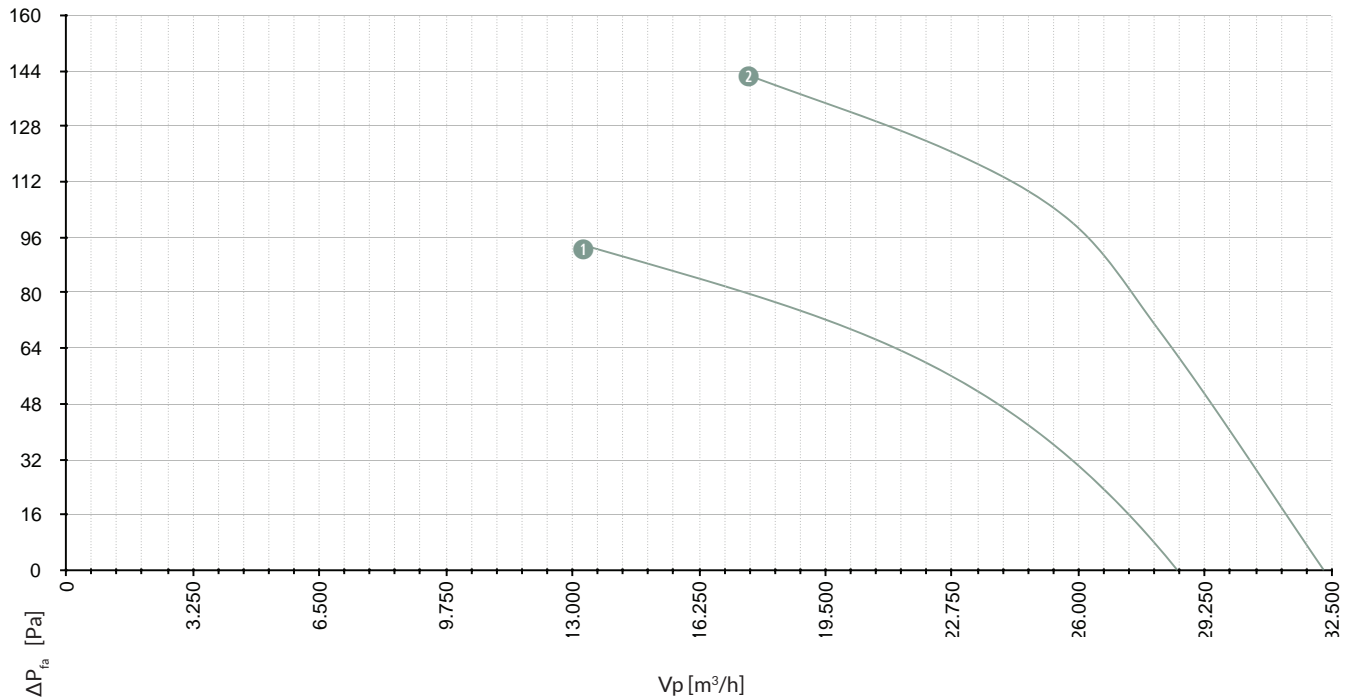
	A	B	C	D	E	G	50 Hz	60 Hz
MAD05-100-D160_-BBC	99	1018	272	414	1078	4* double Ø 9 – 80mm	1 2	x

Copyright Sovatec Produktions GmbH. This data sheet shows a technical overview of our products. Please contact us if more exact information is needed. As we are constantly improving our products, their characteristics, dimensions and weights may also change, although we do our best to incorporate these changes continually. The information in this data sheet is intended to be used as a first general guideline only. Sovatec assumes no liability for any information therein, any errors, omissions, misprints, nor any direct or indirect damages, losses or costs resulting therefrom. The acoustic values given are only valid under the measurement conditions listed and may vary depending on the installation situation. With any deviation to the standard setup, the specific values have to be checked and reviewed once installed or fitted!

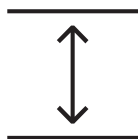




## MAD 05 SERIES CHARACTERISTICS CHART / NENNDIAGRAMM



## MAD 05 SERIES OPTIONS / OPTIONEN



VARIOUS PROTECTION GRIDS  
VERSCHIEDENE GITTERHÖHEN



RANGE OF MOUNTING POSSIBILITIES  
VERSCHIEDENE GITTERBEFESTIGUNGEN



## MAD 05 SERIES TECHNICAL DATA / TECHNISCHE DATEN

Further ErP-data available upon request  
Weitere ErP Daten sind auf Anfrage erhältlich

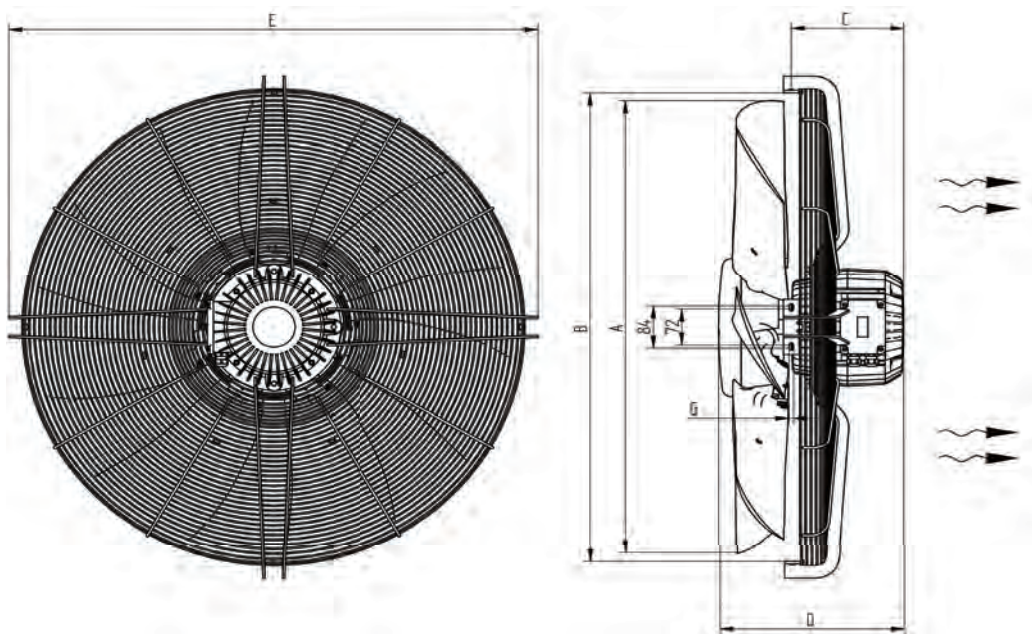
		Hz	P1 (W)	I (A)	n (min <sup>-1</sup> )	cos φ	C <sub>B</sub>	dB(A)	kg
MAD05-100-D160DANH-BBC	①	50-D	2375	5,3	665	0,65	-	83	53
MAD05-100-D160DANH-BBC	②	50-Y	1540	2,95	515	0,75	-	78	53

Copyright Sovatec Produktions GmbH. This data sheet shows a technical overview of our products. Please contact us if more exact information is needed. As we are constantly improving our products, their characteristics, dimensions and weights may also change, although we do our best to incorporate these changes continually. The information in this data sheet is intended to be used as a first general guideline only. Sovatec assumes no liability for any information therein, any errors, omissions, misprints, nor any direct or indirect damages, losses or costs resulting therefrom. The acoustic values given are only valid under the measurement conditions listed and may vary depending on the installation situation. With any deviation to the standard setup, the specific values have to be checked and reviewed once installed or fitted.



# MAD 06 SERIES

## MAD 06 SERIES DIMENSION CHART / MASSTABELLE [mm]



	A	B	C	D	E	G	50 Hz	60 Hz
MAD06-080-D100_-BBC / -BBF	788	816	205	374	866	-	1 2	x
MAD06-090-D160_-BBC / -BBF	904	932	272	414	992	-B_C 4* double Ø 9 – 80mm	3 4 5 6	x
MAD06-090-D120_-BBC / -BBF	904	932	272	414	992	-B_C 4* double Ø 9 – 80mm	7 8	x

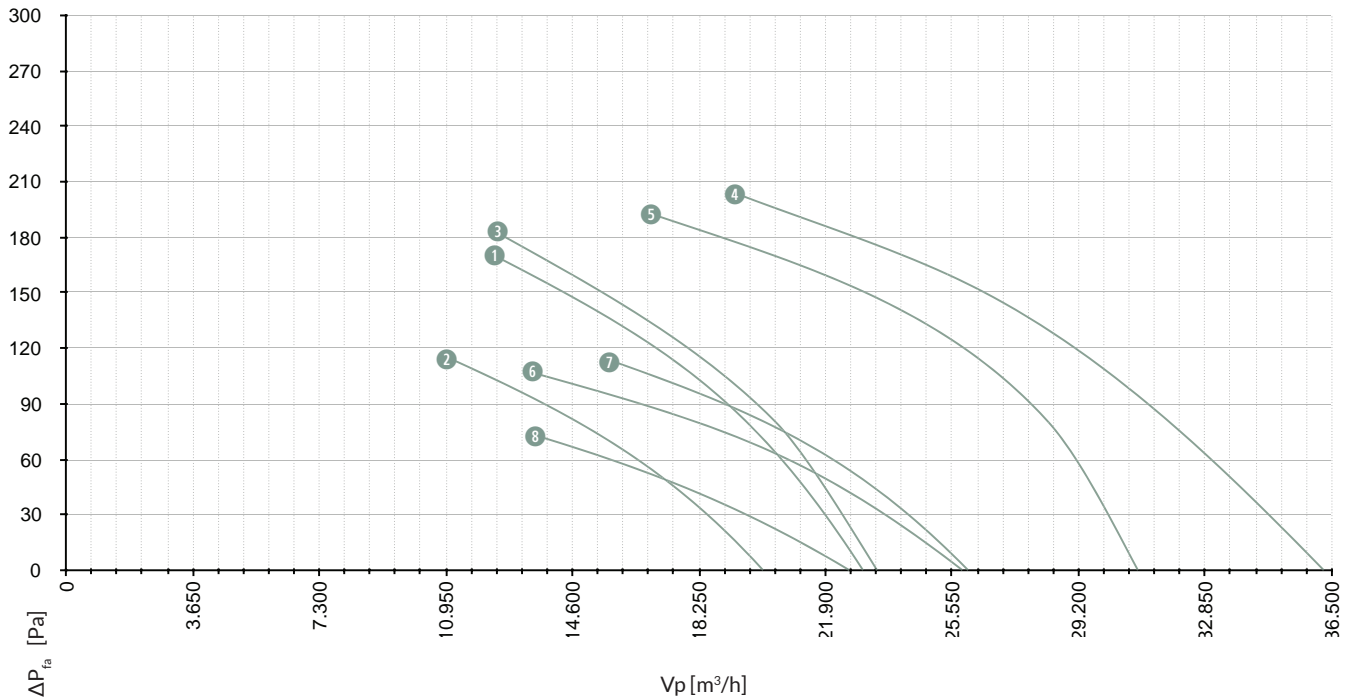
Copyright Sovatec Produktions GmbH. This data sheet shows a technical overview of our products. Please contact us if more exact information is needed. As we are constantly improving our products, their characteristics, dimensions and weights may also change, although we do our best to incorporate these changes continually. The information in this data sheet is intended to be used as a first general guideline only. Sovatec assumes no liability for any information therein, any errors, omissions, misprints, nor any direct or indirect damages, losses or costs resulting therefrom. The acoustic values given are only valid under the measurement conditions listed and may vary depending on the installation situation. With any deviation to the standard setup, the specific values have to be checked and reviewed once installed or fitted!





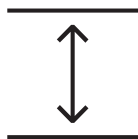
# MAD 06 SERIES

## CHARACTERISTICS CHART / NENNDIAGRAMM



# MAD 06 SERIES

## OPTIONS / OPTIONEN



VARIOUS PROTECTION GRIDS  
VERSCHIEDENE GITTERHÖHEN



RANGE OF MOUNTING POSSIBILITIES  
VERSCHIEDENE GITTERBEFESTIGUNGEN



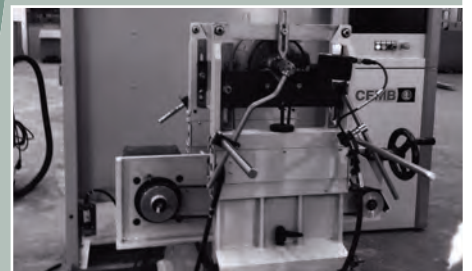
# MAD 06 SERIES

## TECHNICAL DATA / TECHNISCHE DATEN

Further ErP-data available upon request  
Weitere ErP Daten sind auf Anfrage erhältlich

		Hz	P1 (W)	I (A)	n (min <sup>-1</sup> )	cos φ	C <sub>B</sub>	dB(A)	kg
MAD06-080-D100DSNH-BBF	①	50-D	1950	4,5	915	0,68	-	85	37
MAD06-080-D100DSNH-BBF	②	50-Y	1400	2,5	730	0,81	-	79	37
MAD6-080-D085D6NH-BBC	③	50	2100	4,45	940	0,68	-	85	35
MAD6-090-D160D6NH-BBF	④	50	3450	6,2	910	0,8	-	90	51
MAD6-090-D160DSNH-BBF	⑤	50-D	2850	5,3	870	0,79	-	87	51
MAD6-090-D160DSNH-BBF	⑥	50-Y	1850	3,3	640	0,81	-	80	51
MAD6-090.D120DANH-BBF	⑦	50-D	1150	3,9	710	0,57	-	80	45
MAD6-090.D120DANH-BBF	⑧	50-Y	1140	2,4	565	0,69	-	76	45

Copyright Sovatec Produktions GmbH. This data sheet shows a technical overview of our products. Please contact us if more exact information is needed. As we are constantly improving our products, their characteristics, dimensions and weights may also change, although we do our best to incorporate these changes continually. The information in this data sheet is intended to be used as a first general guideline only. Sovatec assumes no liability for any information therein, any errors, omissions, misprints, nor any direct or indirect damages, losses or costs resulting therefrom. The acoustic values given are only valid under the measurement conditions listed and may vary depending on the installation situation. With any deviation to the standard setup, the specific values have to be checked and reviewed once installed or fitted.



## SOVATEC PRODUKTIONS GMBH

Aufeldgasse 37-39, A-3400 Klosterneuburg, Austria, Europe  
support@sovatec.com | www.sovatec.com

